

PROCTOLOGY ACCESSORY 30154

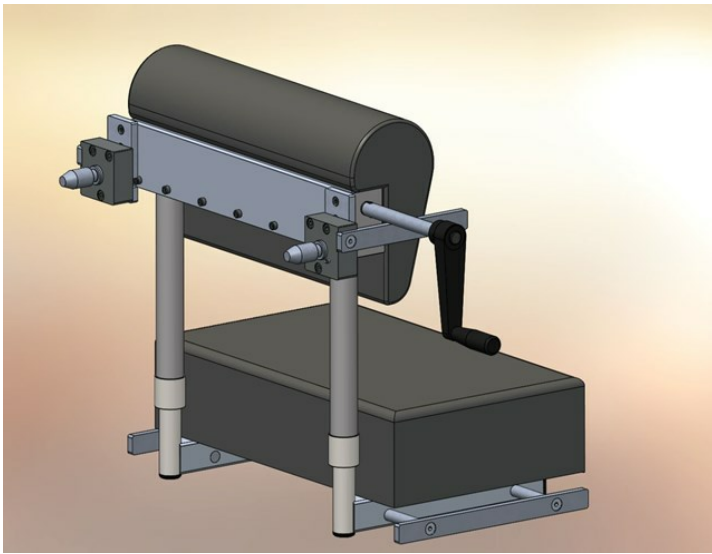
Allows the surgeon good access to the patient.

For Promerix SWL 180 kg, requires section 60425 (or 60440).

For Practicos SWL 135 kg

With Practico this device is attached directly to the seat section.

The height of the device can be manually adjusted using the crank.



Order no.

100 030 154 for Practico and Promerix

Height adjustment	340 - 540 mm
Safe working load (SWL)	180 kg
Weight	18.0 kg
Product Code	100030154