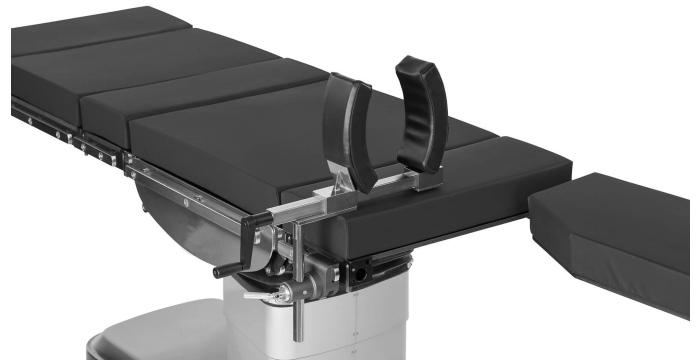


SS3020 Knee arthroscopy holder

- arthroscopic knee holder keeps leg in fixed position during surgery
- stepless adjustment with crank
- Recommended clamps: CL1010/ CL2010



Contact us

Merivaara Corp.
Tarmontie 2-4
15860 HOLLOLA
FINLAND

+358 3 3394 611

merivaara@merivaara.com